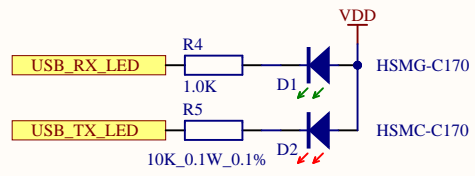
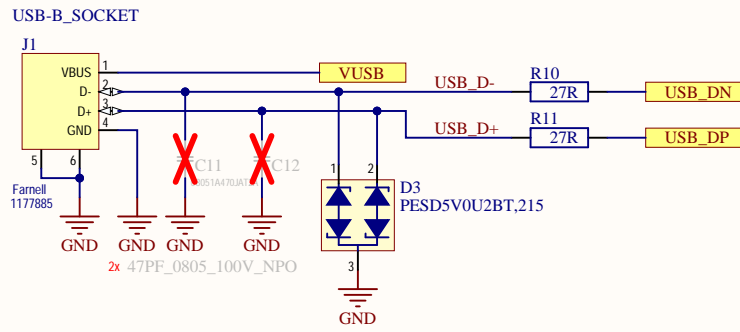
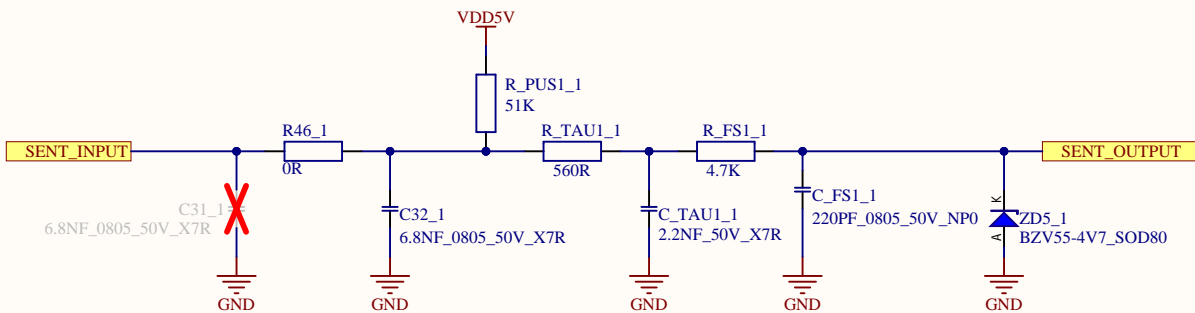
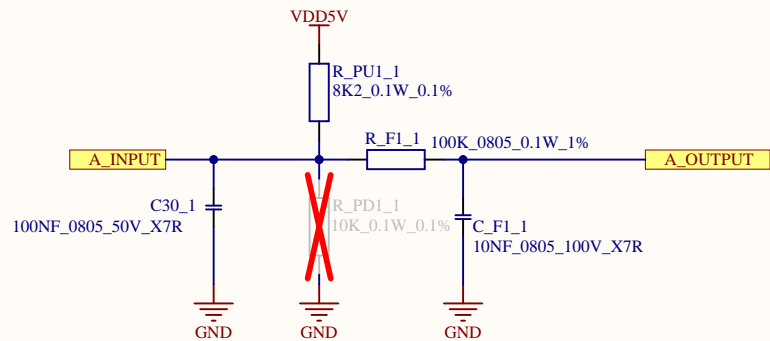


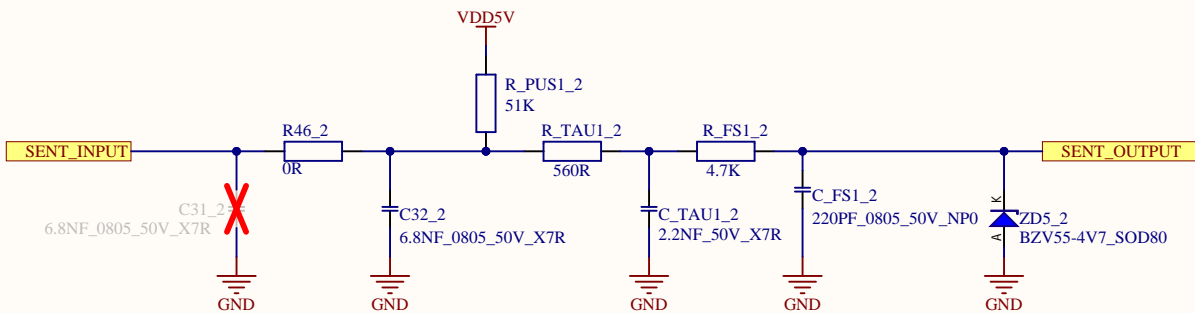
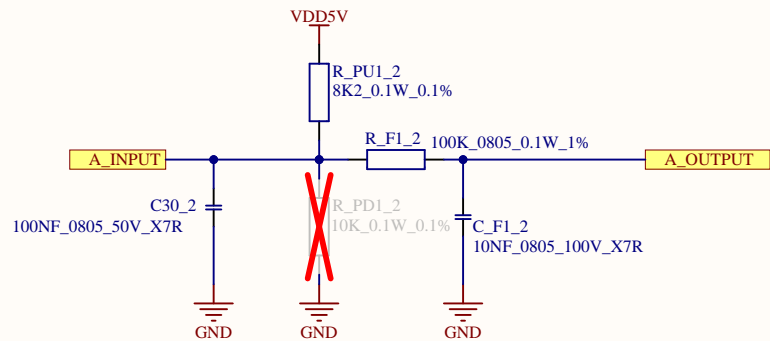
<b>onsemi</b>		ONSEMI Videnska 125 619 00 Brno Czech Republic			
PCB PROJECT	NCV77320 Eval. Kit Rev1.3	VARIANT	Variant_Assembly		
SCHMATIC	PowerSupplies_NCV77320.SchDoc				
CUSTOMER	AUTHOR				
STATUS	Production				
Size	REV.	SHEET No.	TOTAL SHEETS	TIMESTAMP	REVISION
A4	1.3	2	6	13/10/2023 11:45:49	1.3



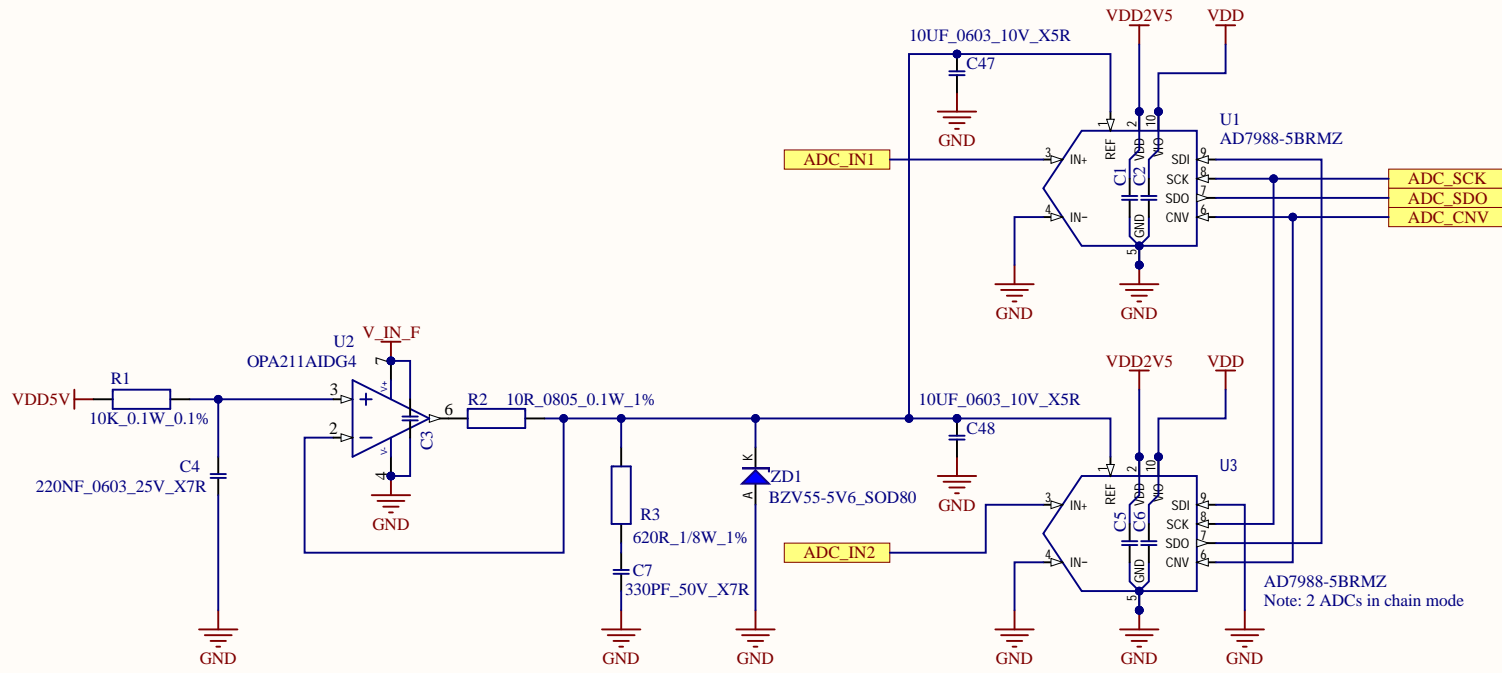
		ONSEMI Videnska 125 619 00 Brno Czech Republic			
		PCB PROJECT	NCV77320 Eval. Kit Rev1.3	VARIANT	Variant_Assembly
SCHEMATIC		USB_NCV77320.SchDoc			
CUSTOMER		AUTHOR			
STATUS		Production			
Size	REV.	SHEET No.	TOTAL SHEETS	TIMESTAMP	REVISION
A4	1.3	3	6	13/10/2023 11:45:49	1.3



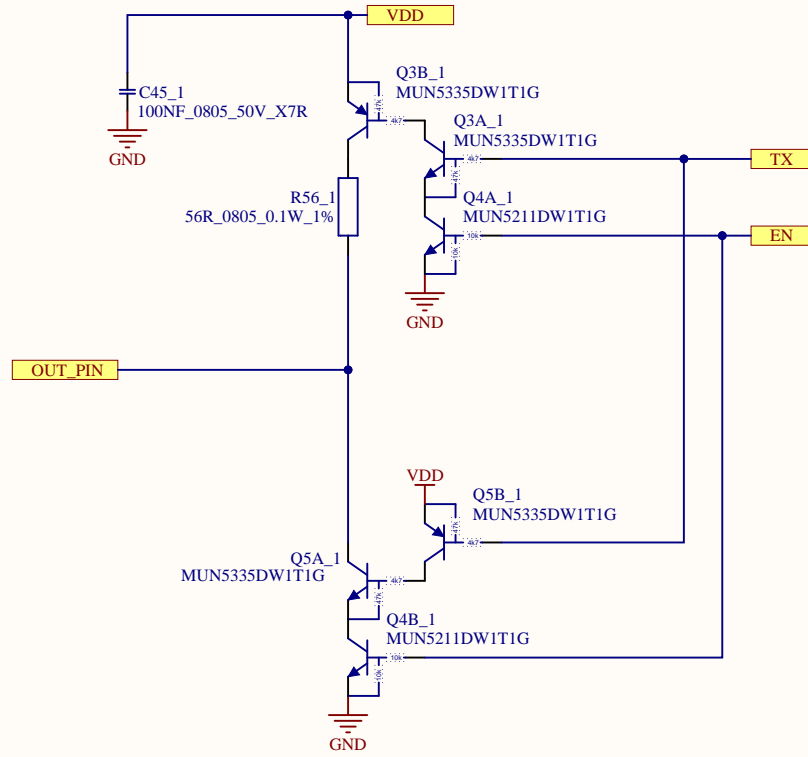
<b>onsemi</b>		ONSEMI Videnska 125 619 00 Brno Czech Republic	
PCB PROJECT		NCV77320 Eval. Kit Rev1.3	VARIANT Variant_Assembly
SCHEMATIC OUT_filters.SchDoc			
CUSTOMER		AUTHOR	
STATUS <b>Production</b>			
Size	REV.	SHEET No.	TOTAL SHEETS
A4	1.3	4	6
TIMESTAMP		REVISION	
13/10/2023 11:45:49		<b>1.3</b>	



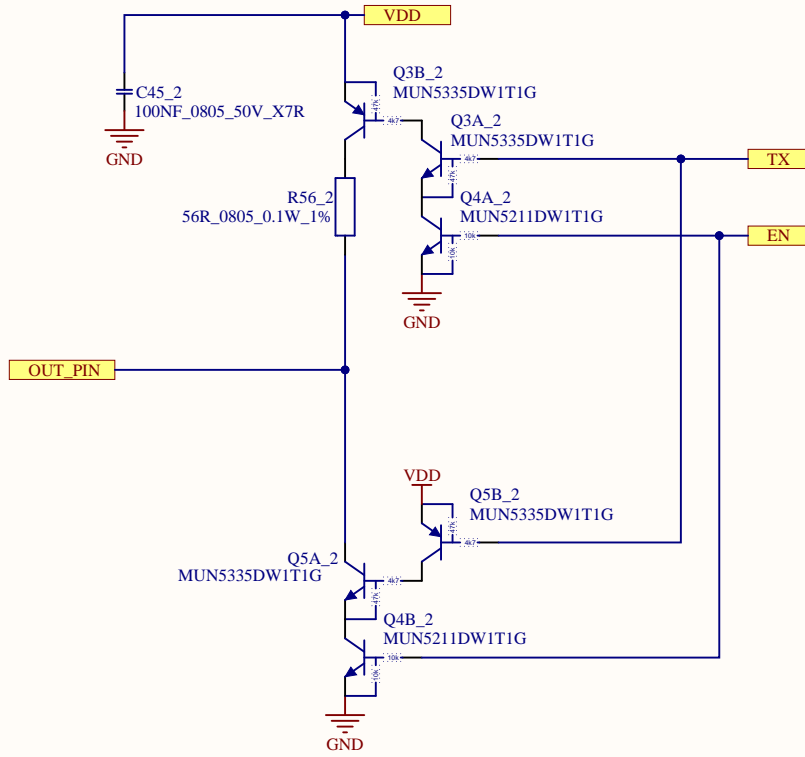
<b>onsemi</b>		ONSEMI Videnska 125 619 00 Brno Czech Republic	
PCB PROJECT		NCV77320 Eval. Kit Rev1.3	VARIANT Variant_Assembly
SCHEMATIC OUT_filters.SchDoc			
CUSTOMER		AUTHOR	
STATUS <b>Production</b>			
Size	REV.	SHEET No.	TOTAL SHEETS
A4	1.3	4	6
TIMESTAMP		REVISION	
13/10/2023 11:45:49		<b>1.3</b>	



<b>onsemi</b>		ONSEMI Videnska 125 619 00 Brno Czech Republic			
PCB PROJECT		NCV77320 Eval. Kit Rev1.3	VARIANT Variant_Assembly		
SCHEMATIC		ADC_16bit.SchDoc			
CUSTOMER		AUTHOR			
STATUS		Production			
Size	REV.	SHEET No.	TOTAL SHEETS	TIMESTAMP	REVISION
A4	1.3	5	6	13/10/2023 11:45:49	1.3



		ONSEMI Videnska 125 619 00 Brno Czech Republic			
		PCB PROJECT	NCV77320 Eval. Kit Rev1.3	VARIANT	Variant_Assembly
SCHEMATIC				TX_translator.SchDoc	
CUSTOMER			AUTHOR		
STATUS				Production	
Size	REV.	SHEET No.	TOTAL SHEETS	TIMESTAMP	REVISION
A4	1.3	6	6	13/10/2023 11:45:49	1.3



		ONSEMI Videnska 125 619 00 Brno Czech Republic			
		PCB PROJECT	NCV77320 Eval. Kit Rev1.3	VARIANT	Variant_Assembly
SCHEMATIC				TX_translator.SchDoc	
CUSTOMER			AUTHOR		
STATUS				Production	
Size	REV.	SHEET No.	TOTAL SHEETS	TIMESTAMP	REVISION
A4	1.3	6	6	13/10/2023 11:45:49	1.3